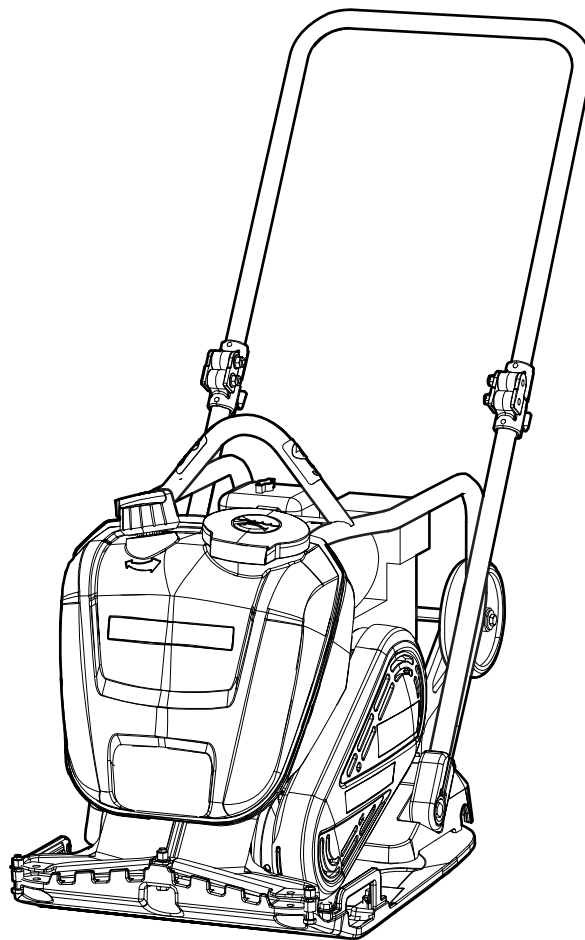


# Spare parts list

## Forward plate

### MV 90

	Valid from serial number
MV 90 Honda AT 420 mm	27608531
MV 90 Honda AT 500 mm	27608531
MV 90 Honda AT 420 mm	BGF000001
MV 90 Honda AT 500 mm	BGF000001





# Contents

<b>General information</b> .....	5
<b>Spare parts list</b> .....	6
Engine plate installation, Honda .....	6
Ground plate installation .....	8
Block paving plate 420 mm (16.5 in.) .....	10
Block paving plate 500 mm (19.7 in.) .....	12
Lifting handle .....	14
Transport device, old version .....	16
Transport device, new version .....	18
Sprinkler system .....	20
Fork lifting device .....	22
Engine installation, Honda .....	24
Engine, Honda GX 160 T2 SXS4 OH .....	26
Transmission cover, Honda .....	30
Handle .....	32
Labels .....	34
<b>Kits</b> .....	36
One year service kit, Honda .....	36
Shock absorber repair kit .....	36
Eccentric element repair kit .....	36
Block paving plate kit 420 mm (16.5 in.) .....	37
Block paving plate kit 500 mm (19.7 in.) .....	37
Transport device kit .....	38
Sprinkler system kit .....	39
Fork lifting device kit .....	40



## General information

This spare parts list applies to the following:

Part number	Description
3382 0000 84	Forward plate MV 90 Honda AT 420 mm (16.55 in.)
4812 0991 32	Forward plate MV 90 Honda AT 500 mm (19.68 in.)

Use only authorized parts. Any damage or malfunction caused by the use of unauthorized parts is not covered by Warranty or Product Liability. Any unauthorized use or copying of the contents or any part thereof is prohibited. This applies in particular to trademarks, model denominations, part numbers, and drawings.

### Instructions for use

This spare parts list contains no safety regulations and is merely intended to assist in the ordering of spare parts.

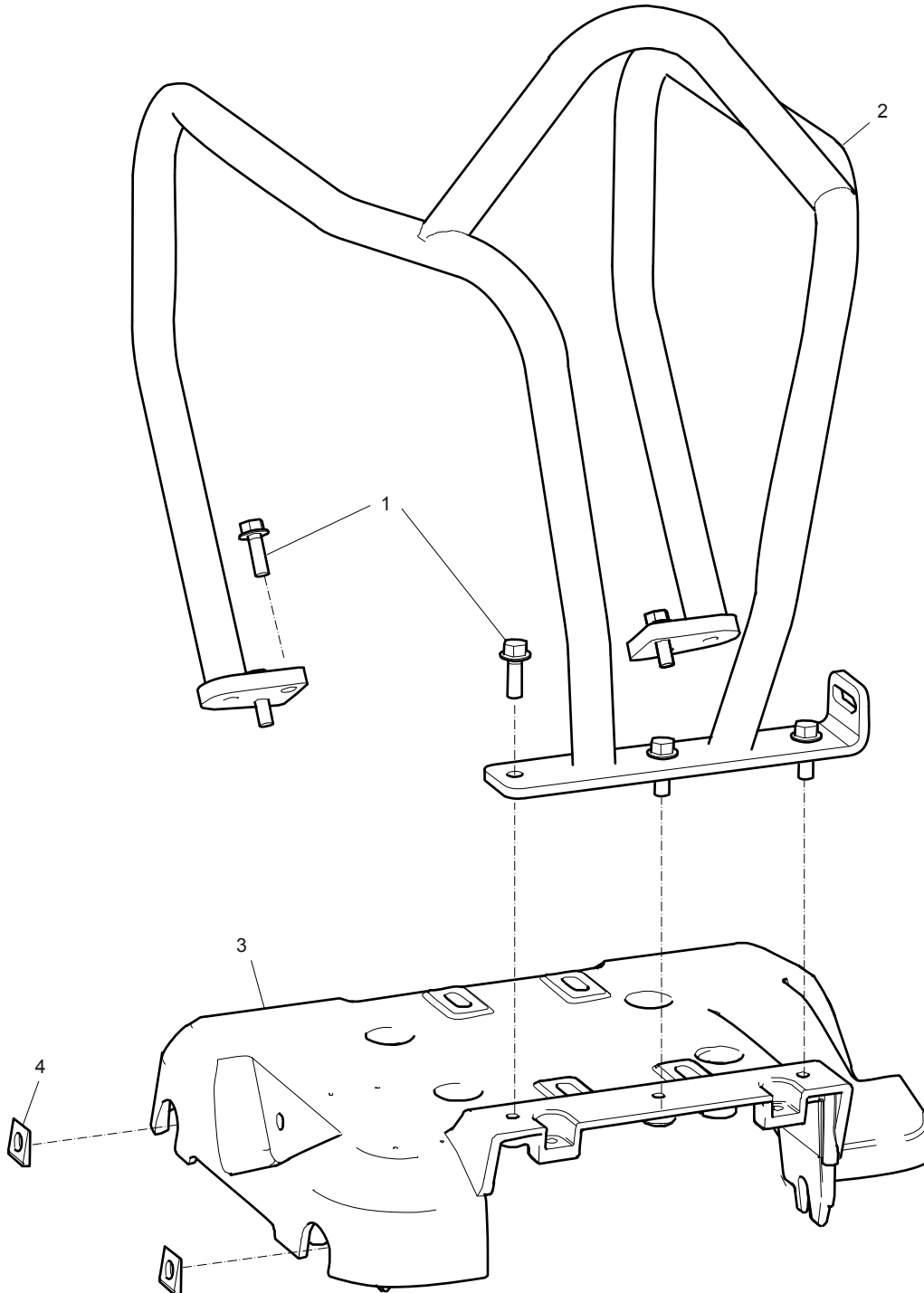
For information about operating, servicing, or repairing, the relevant Safety and operating instructions must be consulted at all costs.

Please observe the safety instructions listed in the relevant Safety and operating instructions!

# Spare parts list

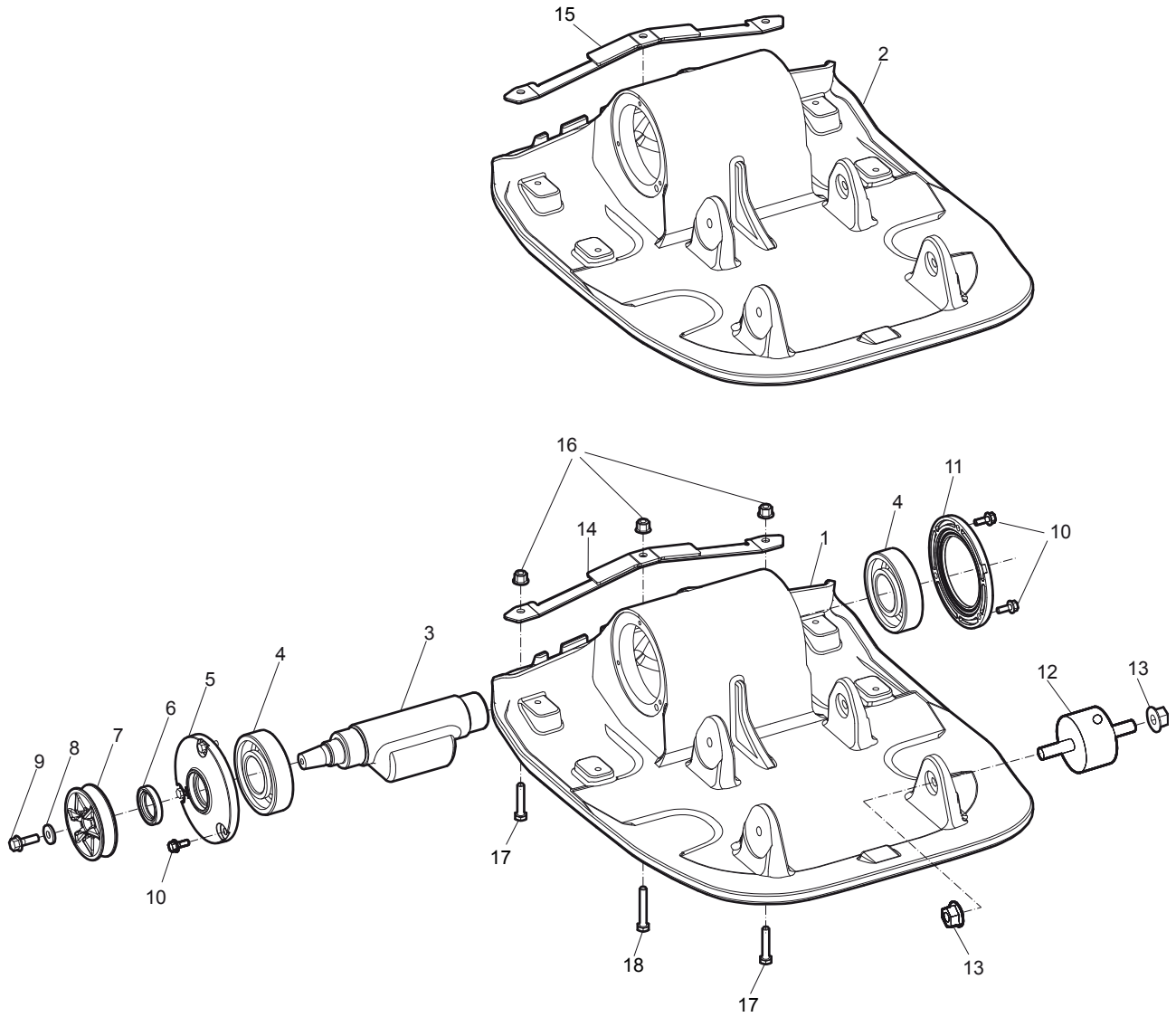
## Engine plate installation, Honda

---



No.	Description	Remark	Quantity	Part number
1	Screw	M8 x 25 mm 8.8 A2K	7	-
2	Protective frame		1	3382 0108 49
3	Engine plate		1	4812 0705 17
4	Square taper washer		2	4700 7927 25

## Ground plate installation

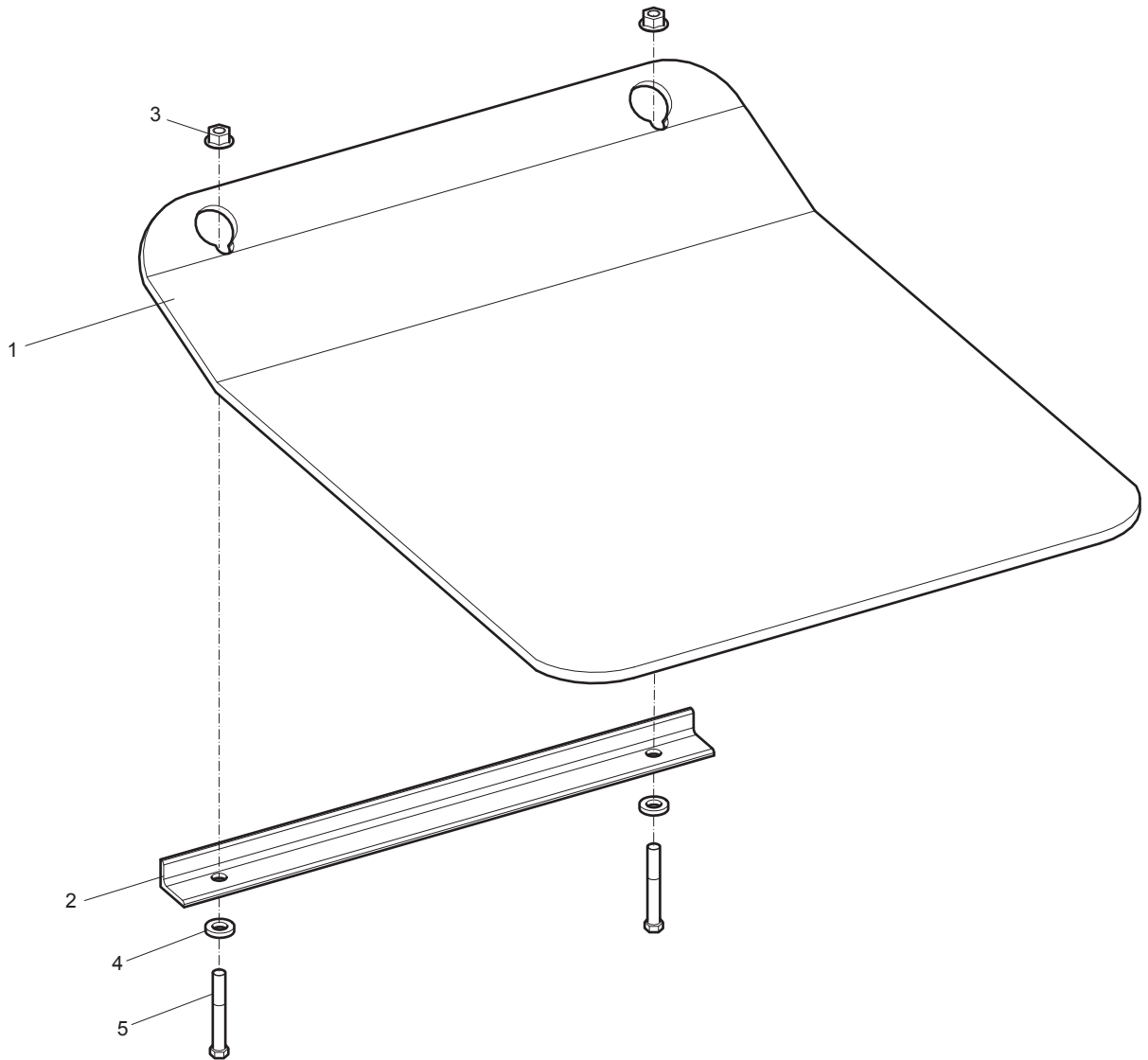




No.	Description	Remark	Quantity	Part number
1	Ground plate	420 mm 16.5 in.	1	4812 0704 52
2	Ground plate	500 mm 19.7 in.	1	4812 0704 47
3	Eccentric shaft		1	4812 0700 58
4	Ball bearing		2	4700 7927 11
5	Cover		1	4700 3965 48
6	Lip-type oil seal		1	4700 1631 05
7	V-belt pulley		1	4700 3950 13
8	Washer	8.4 x 22 x 3 mm 300HV 0.33 x 0.87 x 0.12 in. 300 HV	1	-
9	Screw	M8 x 25 mm 8.8 A2K	1	-
10	Screw	M6 x 16 mm 8.8 A2K	6	-
11	Cover		1	4700 3965 49
12	Shock absorber		4	4700 2823 73
13	Nut	M10 x 1.5 mm GEOMET®	8	4700 5701 03
14	Sprinkler bar	420 mm 16.5 in.	1	4812 0706 64
15	Sprinkler bar	500 mm 19.7 in.	1	4812 0706 63
16	Lock nut	M8 x 1.25 mm A2K	3	-
17	Screw	M8 x 55 mm 8.8 A2K	2	-
18	Screw	M8 x 45 mm 8.8 A2K	1	-

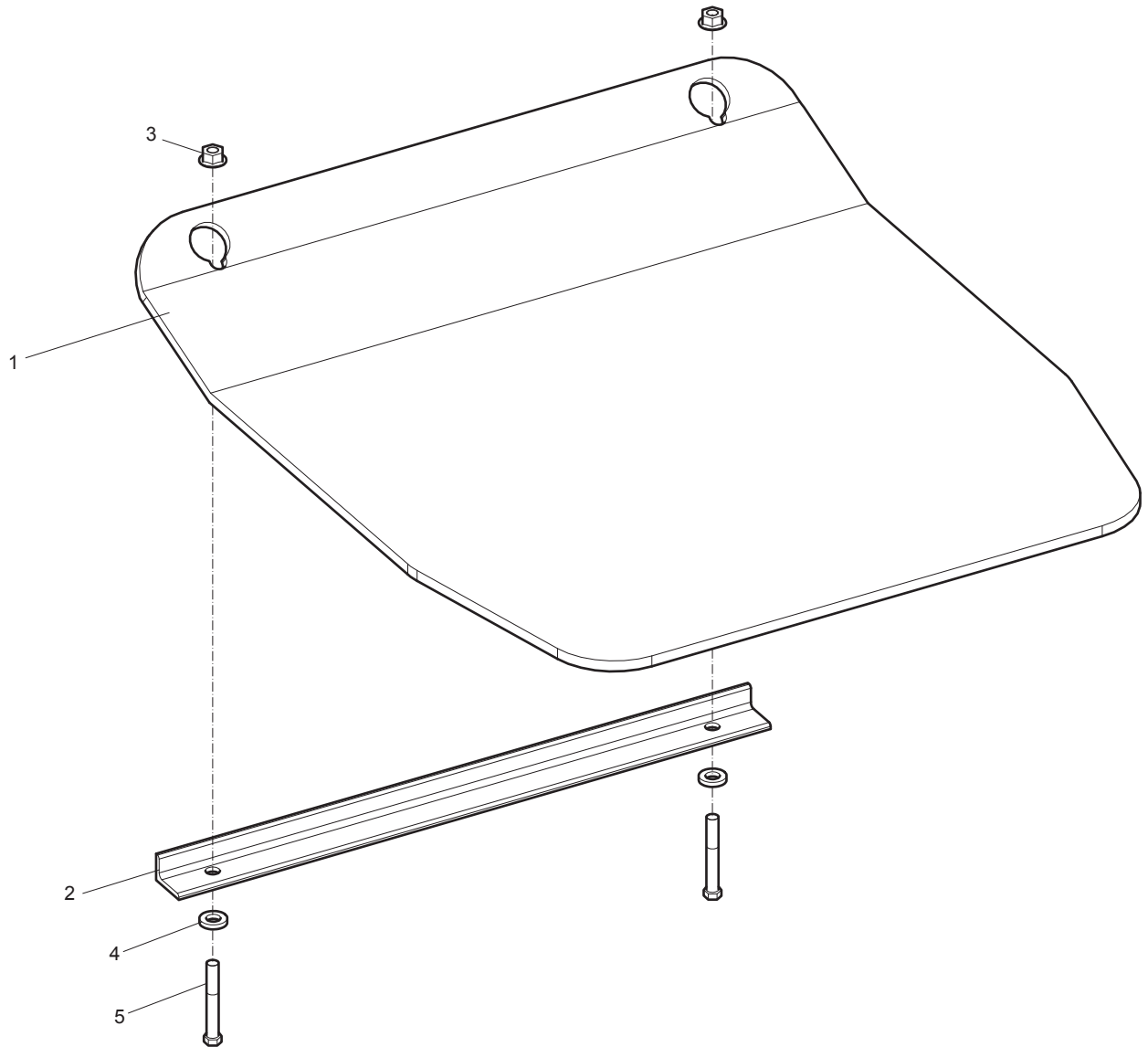
GEOMET is a registered trademark of Nof Metal Coatings North America Inc.

# Block paving plate 420 mm (16.5 in.)



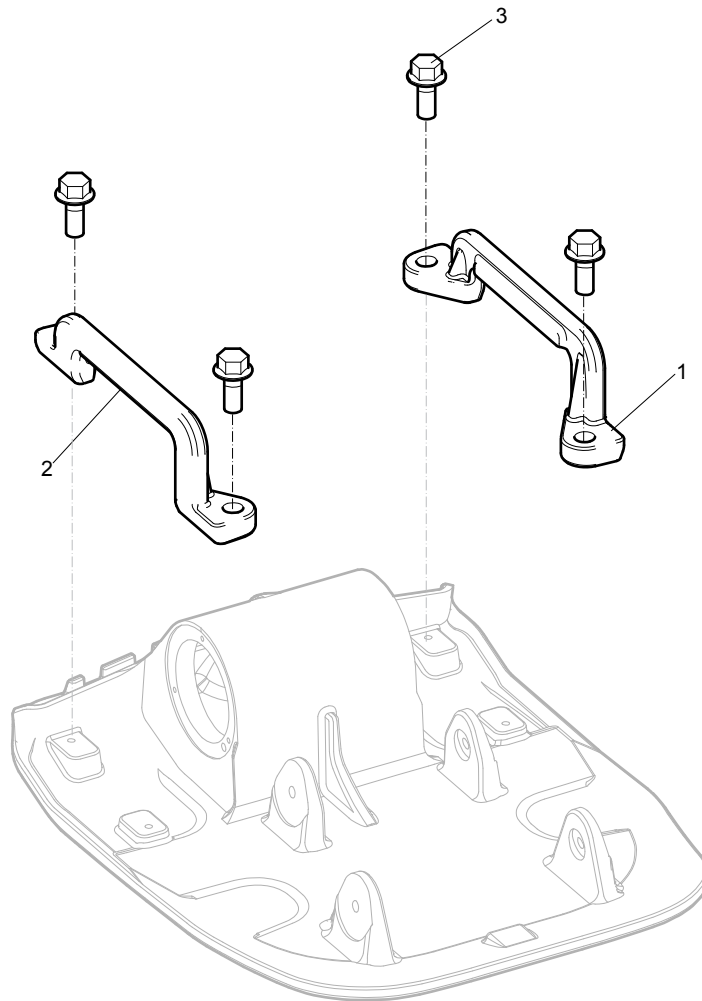
No.	Description	Remark	Quantity	Part number
1	Polyurethane plate	420 mm 16.5 in.	1	4700 3940 43
2	Bracket	30 x 20 x 4 mm 1.18 x 0.79 x 0.16 in.	1	4700 3940 44
3	Hexagon flange nut	M8 x 1.25 mm A2K	2	-
4	Washer	8.4 x 16 x 1.5 mm 0.33 x 0.63 x 0.06 in. 300 HV	2	-
5	Hexagon head screw	M8 x 75 mm 8.8	2	-

# Block paving plate 500 mm (19.7 in.)



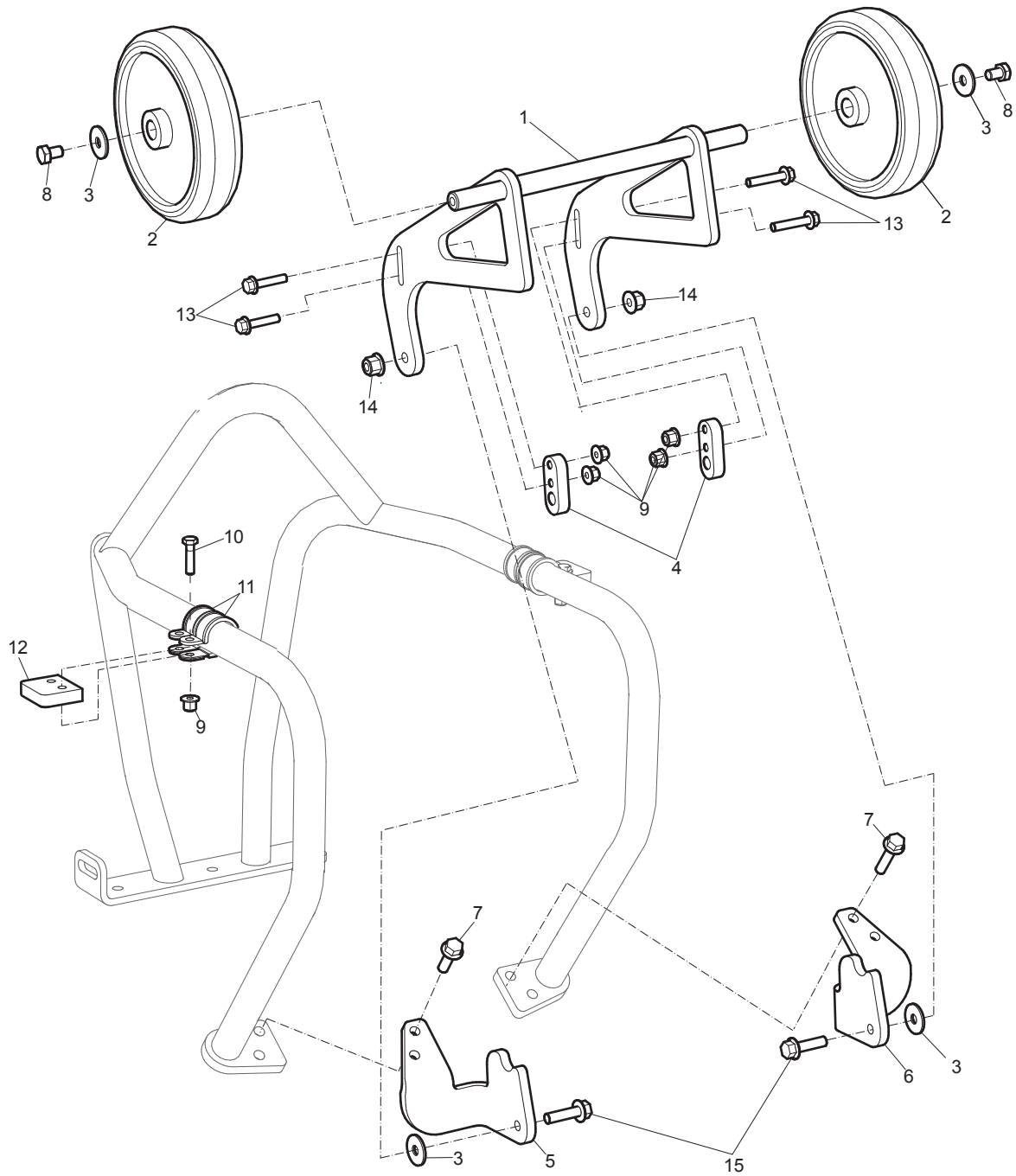
No.	Description	Remark	Quantity	Part number
1	Polyurethane plate	500 mm 19.7 in.	1	4700 3940 46
2	Bracket		1	4700 3940 47
3	Nut	M8 x 1.25 mm A2K	2	-
4	Washer	8.4 x 16 x 1.5 mm 300 HV 0.33 x 0.63 x 0.06 in. 300 HV	2	-
5	Screw	M8 x 75 mm 8.8	2	-

# Lifting handle



No.	Description	Remark	Quantity	Part number
1	Handle	Right	1	4700 3950 18
2	Handle	Left	1	4700 3950 20
3	Screw	M8 x 20 mm 8.8 A2K	4	-

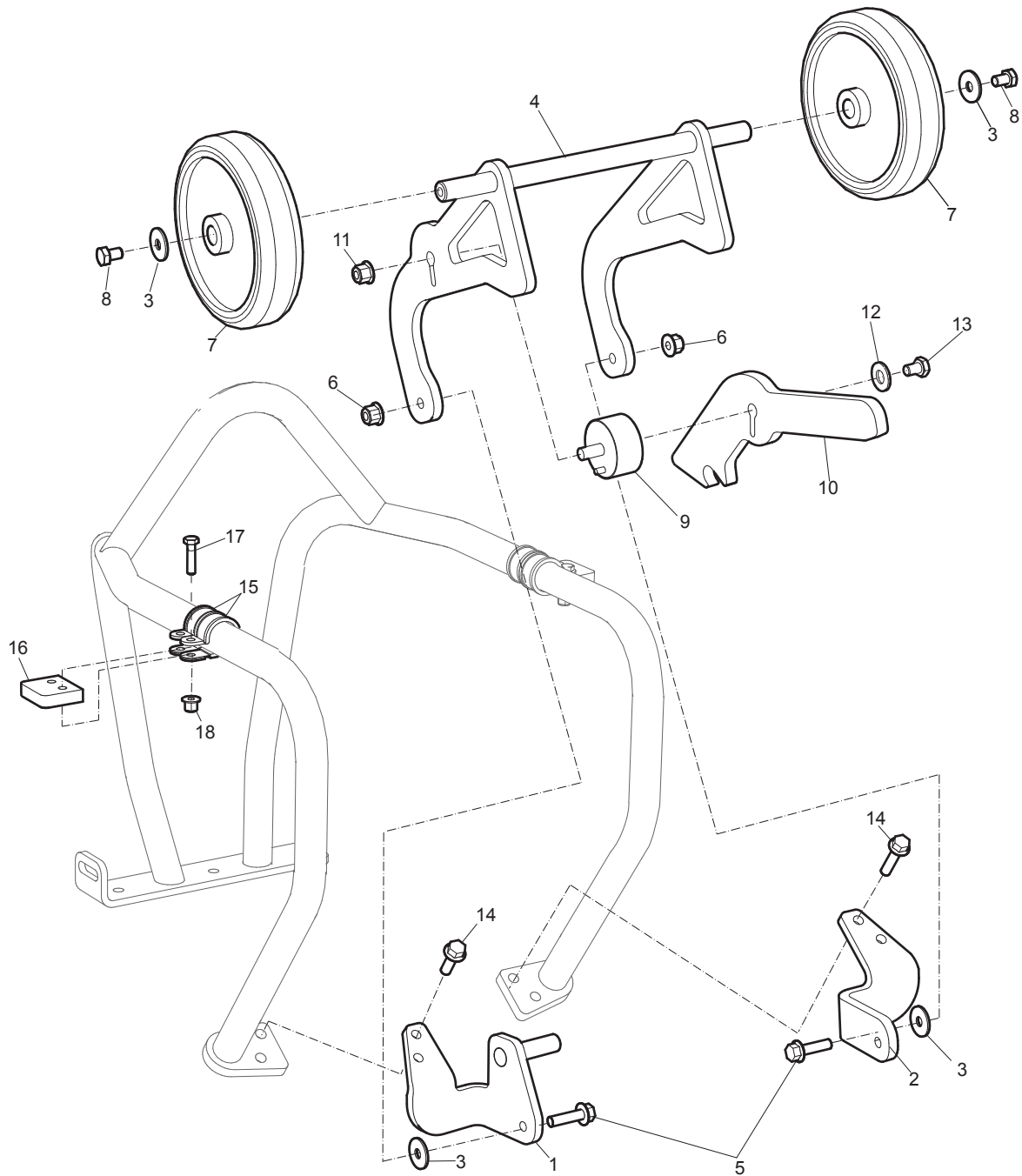
# Transport device, old version





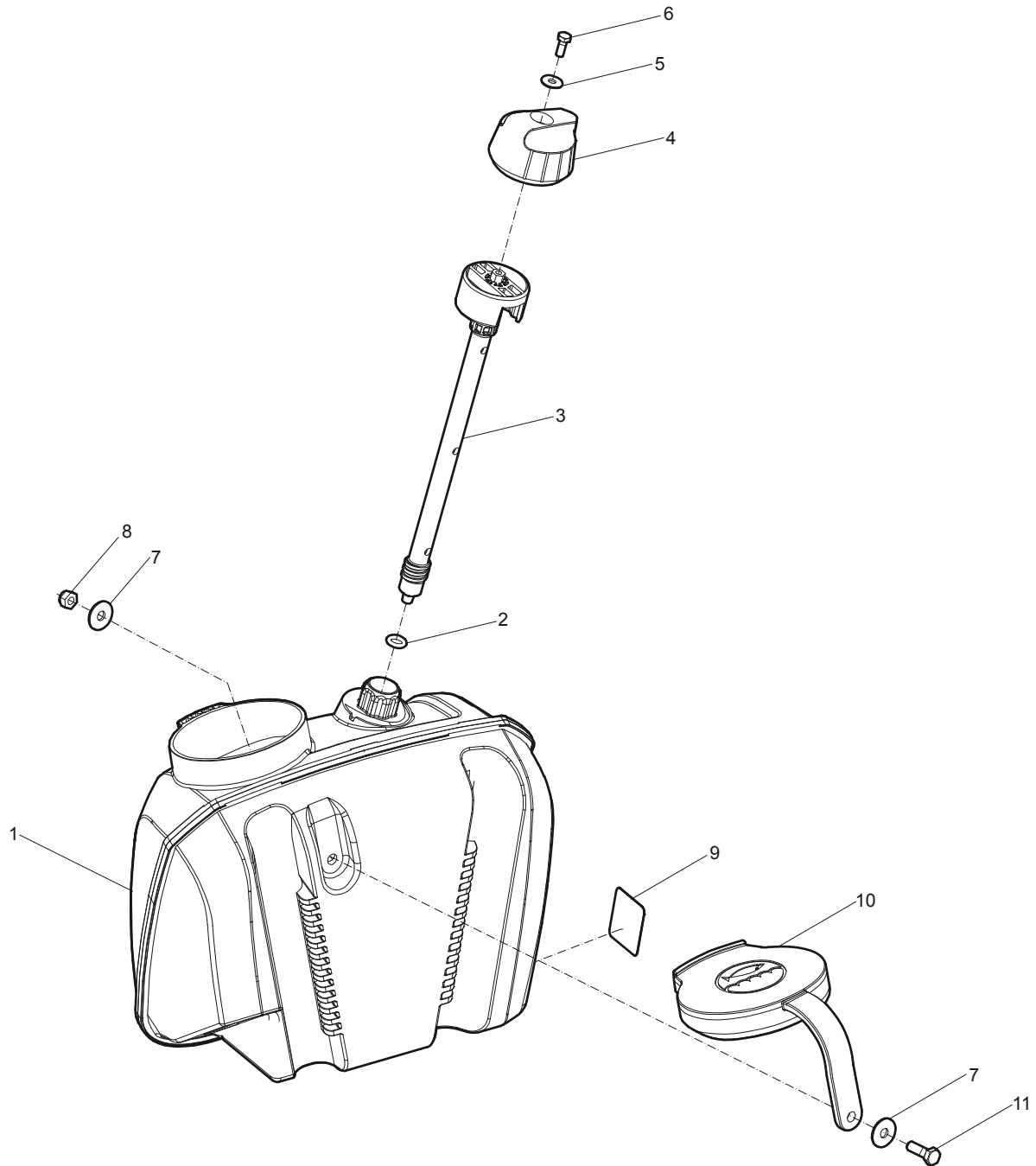
No.	Description	Remark	Quantity	Part number
1	Fork		1	4700 3973 87
2	Wheel		2	4700 3835 82
3	Washer	8.4 x 25 x 2 mm 0.33 x 0.98 x 0.08 in.	4	-
4	Lock		2	4700 3941 03
5	Bracket	Left	1	4700 3973 85
6	Bracket	Right	1	4700 3973 86
7	Screw	M8 x 35 mm 8.8 FZB	4	-
8	Screw	M8 x 12 mm 8.8 A2K	2	-
9	Nut	M 6	8	-
10	Screw	M6 x 25 mm 8.8 FZB	4	-
11	Pipe clamp		4	4700 9210 28
12	Stop		2	4812 0702 10
13	Screw	M6 x 30 mm 8.8 A2K	4	-
14	Lock nut	M8 x 1.25 mm A2K	2	-
15	Screw	M8 x 30 mm 8.8 A2K	2	-

# Transport device, new version



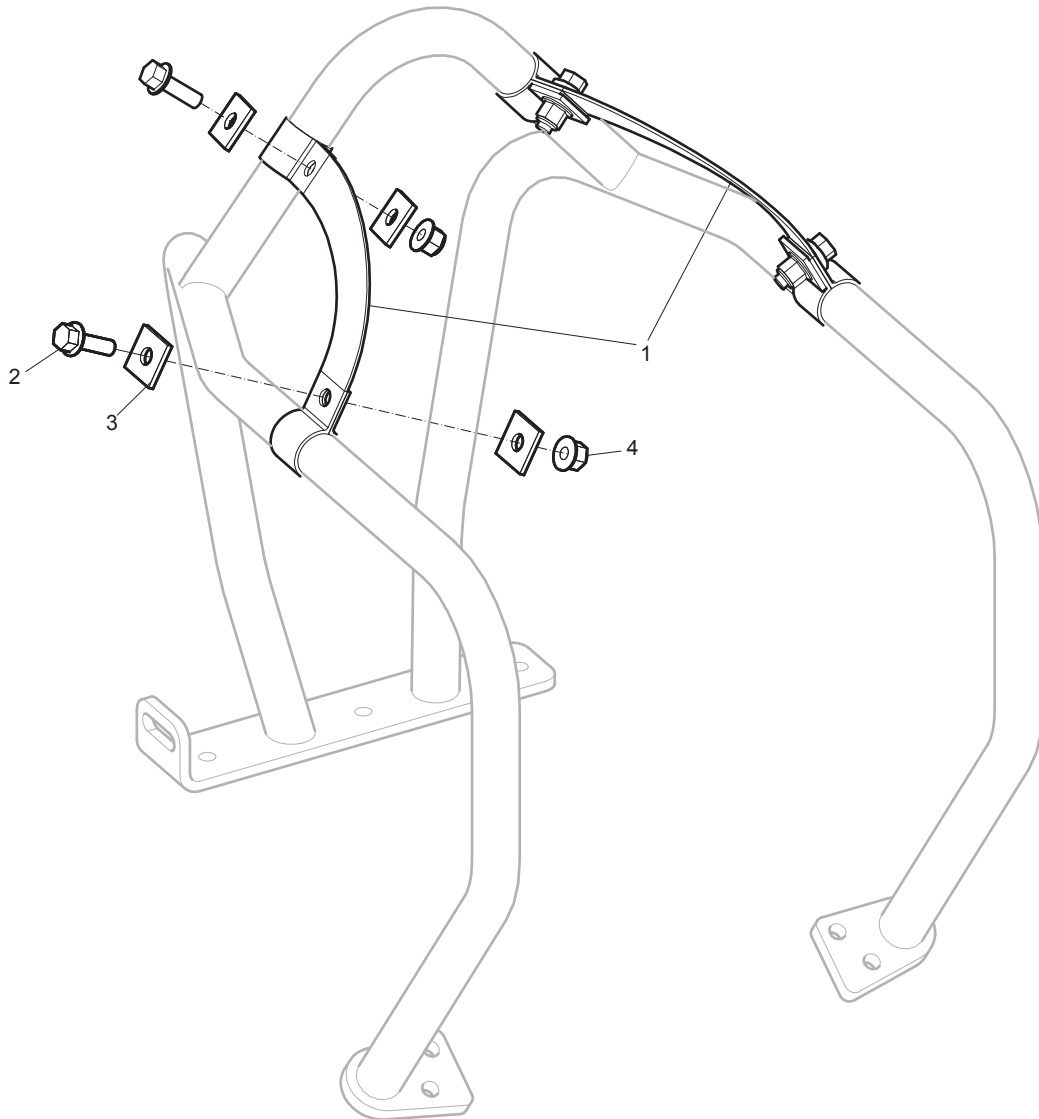
No.	Description	Remark	Quantity	Part number
1	Bracket	Left	1	3382 0111 74
2	Bracket	Right	1	3382 0111 76
3	Washer	8.4 x 25 x 2 mm 0.33 x 0.98 x 0.08 in.	4	-
4	Fork		1	3382 0111 75
5	Screw	M8 x 30 mm 8.8 A2K	2	-
6	Nut	M8 A2K	2	-
7	Wheel		2	4700 3835 82
8	Screw	M8 x 12 mm 8.8 A2K	2	-
9	Shock absorber		1	4700 3853 87
10	Hook		1	4812 0704 71
11	Nut	M10	1	-
12	Washer	10.5 x 22 x 2 mm 0.41 x 0.87 x 0.08 in.	1	-
13	Screw	10 x 20 mm 8.8 FZB	1	-
14	Screw	M8 x 35 mm 8.8 FZB	4	-
15	Pipe clamp		4	4700 9210 28
16	Stop		2	4812 0702 10
17	Screw	M6 x 25 mm 8.8 FZB	4	-
18	Nut	M6	4	-

# Sprinkler system



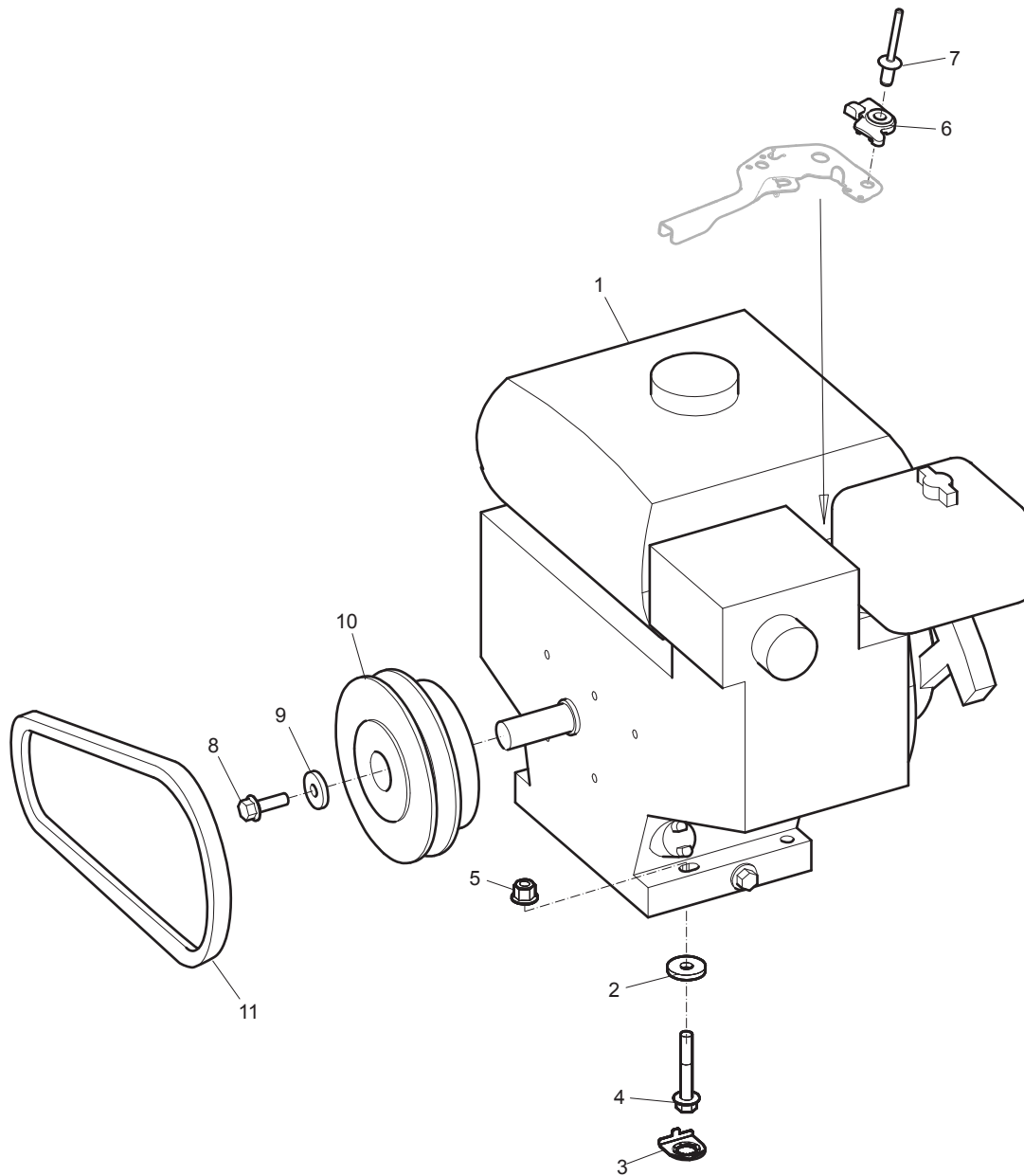
No.	Description	Remark	Quantity	Part number
1	Water tank		1	3382 0108 50
2	O-ring	8 x 3 mm 0.31 x 0.12 in. (70 shore)	1	4700 7928 04
3	Valve rod		1	4700 3930 20
4	Handle		1	4700 3920 73
5	Washer	6.4 x 18 x 1.6 mm 0.25 x 0.71 x 0.06 in.	1	-
6	Screw	M6 x 16 mm 8.8 A2K	1	-
7	Washer	8.4 x 25 x 2 mm 0.33 x 0.98 x 0.08 in.	2	-
8	Lock nut	M8 -8 DIN 985	1	-
9	Label		1	4700 3933 81
10	Cap		1	4700 3920 92
11	Screw	M8 x 25 mm 8.8 A2K	1	-

# Fork lifting device



No.	Description	Remark	Quantity	Part number
1	Lifting eye		2	4700 3961 94
2	Screw	M8 x 25 mm 8.8 A2K	4	-
3	Washer	9 x 25 x 3 mm 0.35 x 0.98 x 0.12 in.	8	-
4	Lock nut	M8 x 1.25 mm A2K	4	-

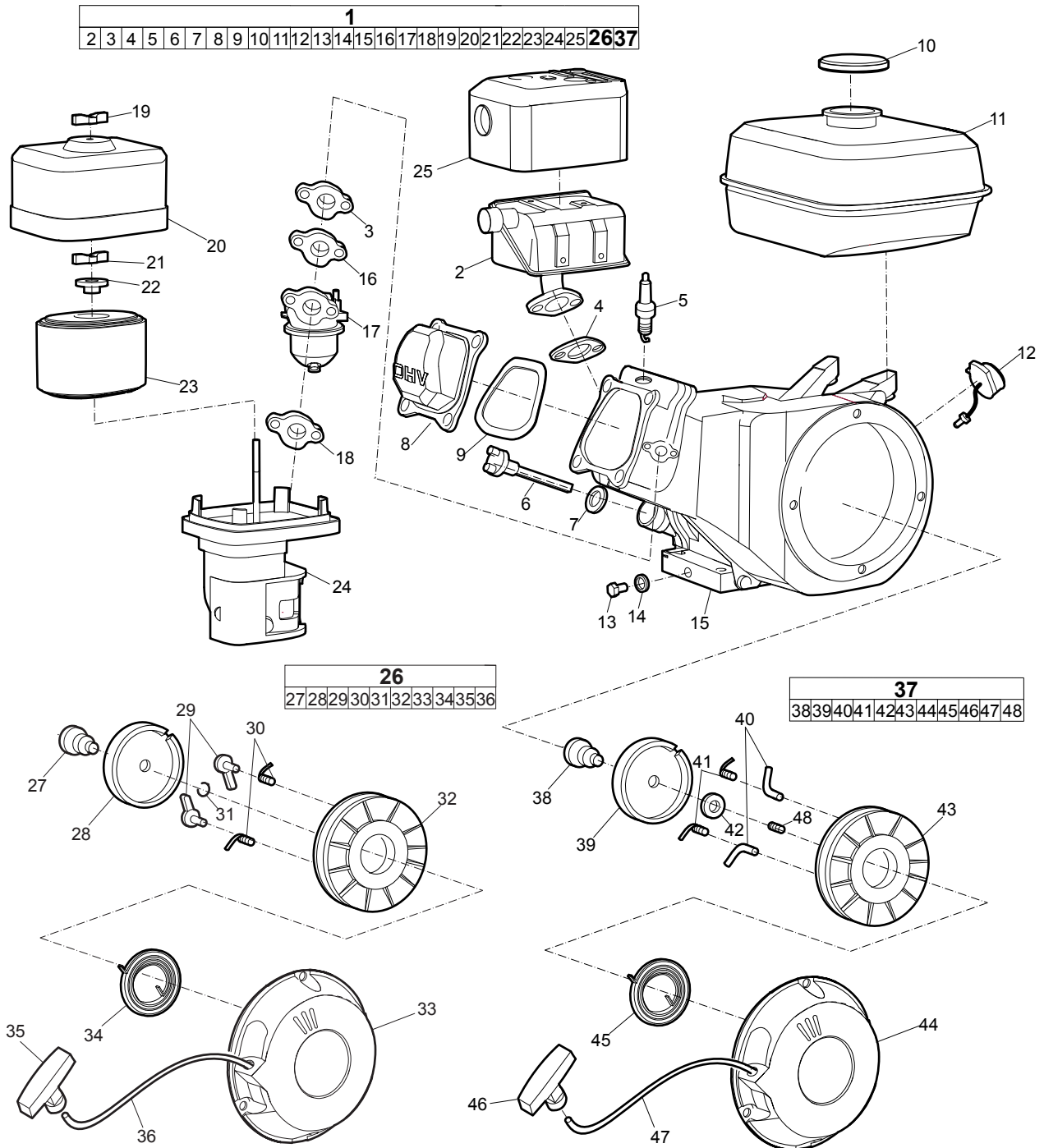
## Engine installation, Honda





No.	Description	Remark	Quantity	Part number
1	Engine	Honda GX160UT2 SXS4 SD	1	4700 2811 25
2	Washer	8.4 x 26 x 4 mm 0.33 x 1.02 x 0.16 in. 300 HV	4	-
3	Washer		4	4700 3939 03
4	Screw	M8 x 50 mm 8.8 A2K	4	-
5	Lock nut	M8 x 1.25 mm A2K	4	-
6	Stiffener		1	4700 3961 26
7	Blind rivet	6.4 x 12 mm 0.25 x 0.47 in.	1	-
8	Screw	M8 x 25 mm 8.8 A2K	1	-
9	Washer	8.4 x 26 x 4 mm 0.33 x 1.02 x 0.16 in. 300 HV	1	-
10	Centrifugal clutch		1	4700 3917 06
11	V-belt		1	4700 3956 58

# Engine, Honda GX 160 T2 SXS4 OH

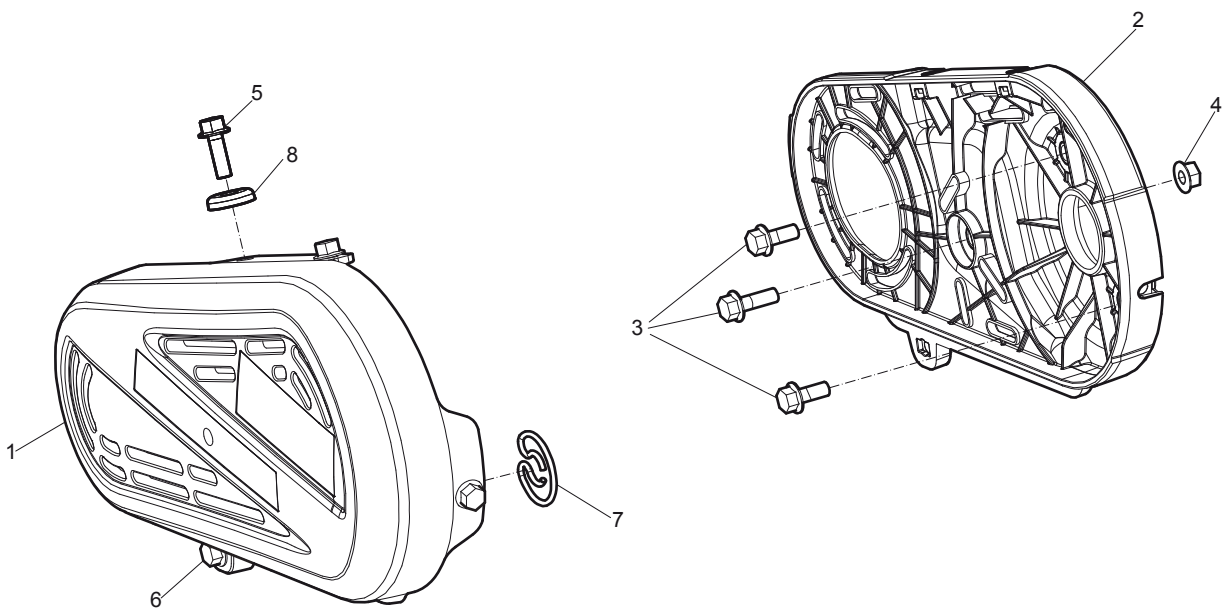


No.	Description	Remark	Quantity	Part number
<b>1(2-25,26,37)</b>	<b>Engine, complete</b>		1	4700 2811 25
2	Silencer		1	3382 1001 63
3	Gasket		1	3382 1001 68
4	Gasket		1	4700 2390 63
5	Spark plug		1	3382 1001 67
6	Oil dip stick		1	3382 1001 65
7	Gasket		1	3382 1001 66
8	Valve cover		1	4700 9379 17
9	Valve cover gasket		1	4700 2383 01
10	Fuel cap		1	3382 1001 74
11	Fuel tank		1	3382 1001 73
12	Engine switch		1	3382 1001 72
13	Oil plug		1	4700 2383 02
14	Gasket		1	4700 2383 03
15	Engine part		1	-
16	Gasket		1	4700 9370 49
17	Carburetor		1	3382 1001 64
18	Spacer		1	4700 9396 59
19	Wing nut		1	4700 2397 71
20	Air filter cover		1	4700 2396 85
21	Wing nut		1	4700 2397 71
22	Grommet		1	4700 2397 72
23	Airfilter	Delivered with outer and inner filter.	1	4700 2393 23
24	Air filter housing		1	4700 9382 30
25	Silencer cover		1	4700 2390 60
<b>26(27-36)</b>	<b>Recoil starter, complete</b>	Valid up to engine serial number 1411005. Red	1	4700 2390 65
27	Adjustment screw		1	4700 2393 81
28	Guide		1	4700 2393 80
29	Ratchet	Valid up to engine serial number 1411005.	2	4700 2393 78
30	Spring		2	4700 2393 77
31	Friction spring	Valid up to engine serial number 1411005.	1	4700 2393 79
32	Reel		1	4700 2393 76
33	Housing		1	-
34	Spring		1	4700 2393 75
35	Handle		1	4700 2393 91
36	Rope		1	4700 2393 74
<b>37(38-48)</b>	<b>Recoil starter, complete</b>	Valid from engine serial number 1411006. Black	1	3382 1001 76
38	Adjustment screw	Valid from engine serial number 1411006.	1	3382 1001 77
39	Guide		1	4700 2393 80
40	Ratchet	Valid from engine serial number 1411006.	2	3382 1001 69
41	Spring		2	4700 2393 77
42	Washer	Valid from engine serial number 1411006.	1	3382 1001 70
43	Reel	Valid from engine serial number 1411006.	1	3382 1001 71
44	Housing		1	-
45	Spring		1	4700 2393 75
46	Handle		1	4700 2393 91
47	Rope		1	4700 2393 74

No.	Description	Remark	Quantity	Part number
48	Spring	Valid from engine serial number 1411006.	1	3382 1001 75



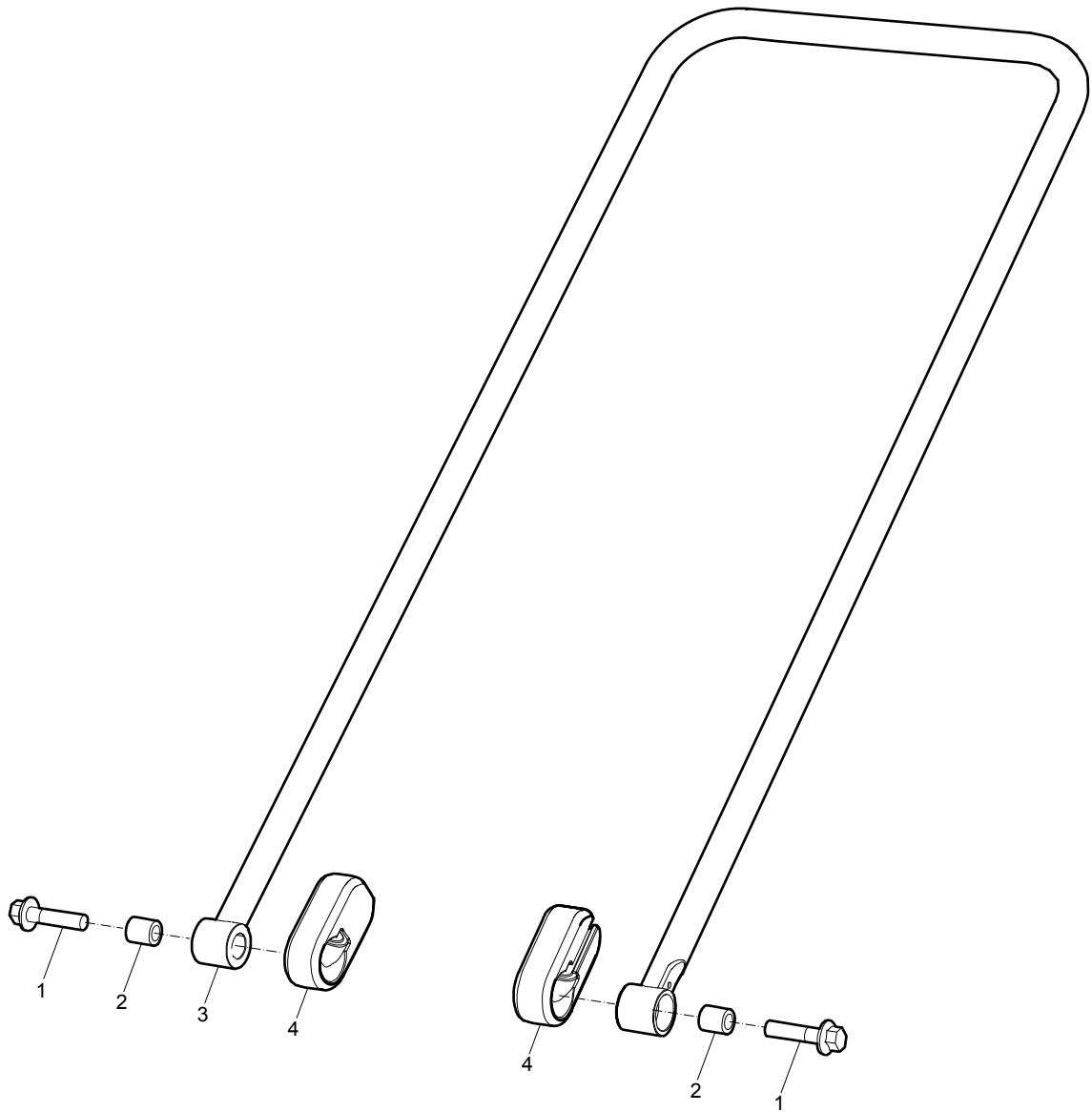
# Transmission cover, Honda



No.	Description	Remark	Quantity	Part number
1	Belt guard	Outer	1	4812 0705 15
2	Belt guard	Inner	1	4700 3933 25
3	Screw	M8 x 25 mm 8.8 A2K	3	-
4	Nut	M8 x 1.25 mm A2K	1	-
5	Screw	M8 x 30 mm 8.8 A2K	3	-
6	Screw		1	4812 0703 68
7	Lock spring		1	4812 0704 31
8	Washer		3	4812 0703 64

# Handle

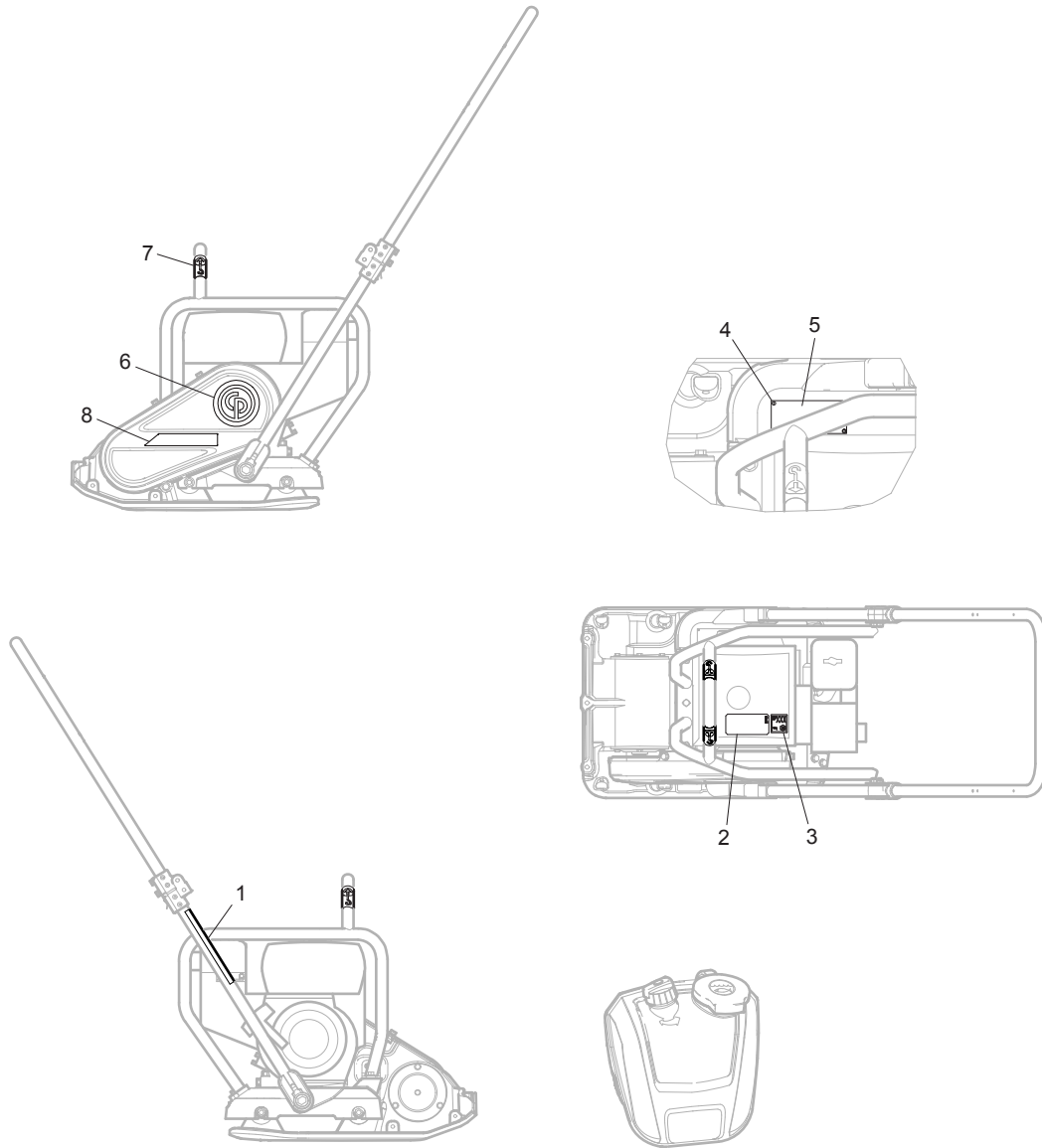
---





No.	Description	Remark	Quantity	Part number
1	Screw	M12 x 50 mm 8.8 A3K	2	-
2	Sleeve bearing		2	4700 3918 21
3	Handle		1	3382 0106 50
4	Shock absorber		2	4700 3918 22

# Labels



No.	Description	Remark	Quantity	Part number
1	Label	Start instruction	1	4700 3947 04
2	Label	Assembly	1	4700 3947 08
3	Noise level label		1	4700 7912 90
4	Drive screw		4	-
5	Data plate		1	-
6	Product label	"Chicago Pneumatic"	1	3315 3856 05
7	Label	Lift point	2	4700 3575 87
8	Product label	"MV 90"	1	4812 0705 54

## Kits

### One year service kit, Honda

#### One year service kit

Part number 3382 1000 01

Description	Remark	Quantity	Part number
Air filter		5	4700 2393 23
Gasket	For oil dipstick.	1	4700 2383 03
V-belt	See section "Engine installation"	1	4700 3956 58
Starting rope		1	4700 2393 74
Spark plug		1	4700 9248 42
Gasket	For valve cover.	1	4700 2383 01

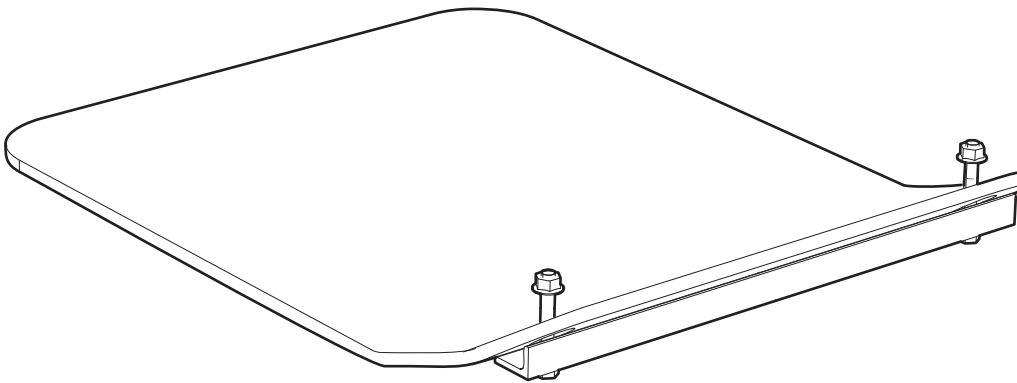
### Shock absorber repair kit

Description	Remark	Quantity	Part number
<b>Shock absorber repair kit</b>		1	3382 1000 06
Shock absorber	For ground plate See section "Ground plate installation".	4	4700 2823 73
Square taper washer	See section "Ground plate installation".	4	4700 7927 25
Nut	M10 A3K See section "Ground plate installation".	8	-
Shock absorber	For handle See section "Handle, standard".	2	4700 3918 22
Screw	M12 x 50 mm 8.8 A3K See section "Handle, standard".	2	-

### Eccentric element repair kit

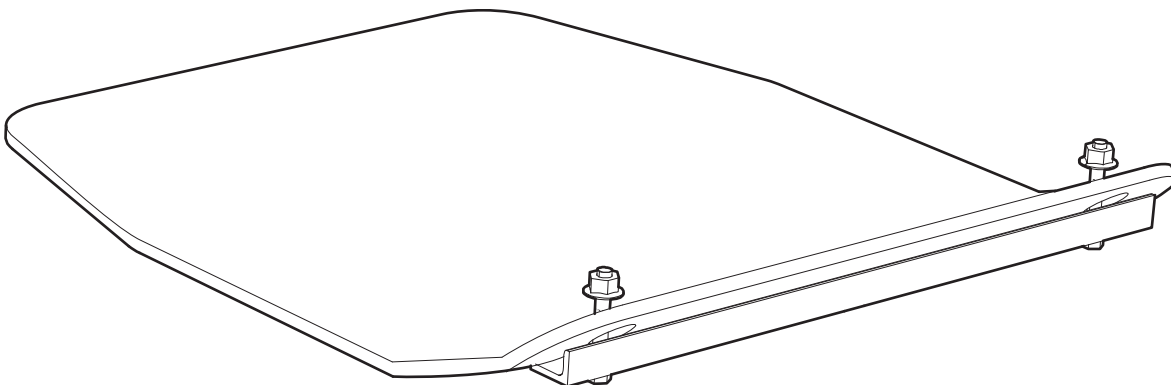
Description	Remark	Quantity	Part number
<b>Eccentric element repair kit</b>		1	3382 1000 04
Screw	M8 x 25 mm 8.8 A2K See section "Ground plate installation".	1	-
Washer	8.4 x 22 x 3 mm 0.33 x 0.87 x 0.12 in. HV300 See section "Ground plate installation".	1	-
Oil seal	See section "Ground plate installation".	1	4700 1631 05
Screw	M6 x 16 mm 8.8 A2K See section "Ground plate installation".	6	-
Bearing	See section "Ground plate installation".	2	4700 7927 11

## Block paving plate kit 420 mm (16.5 in.)



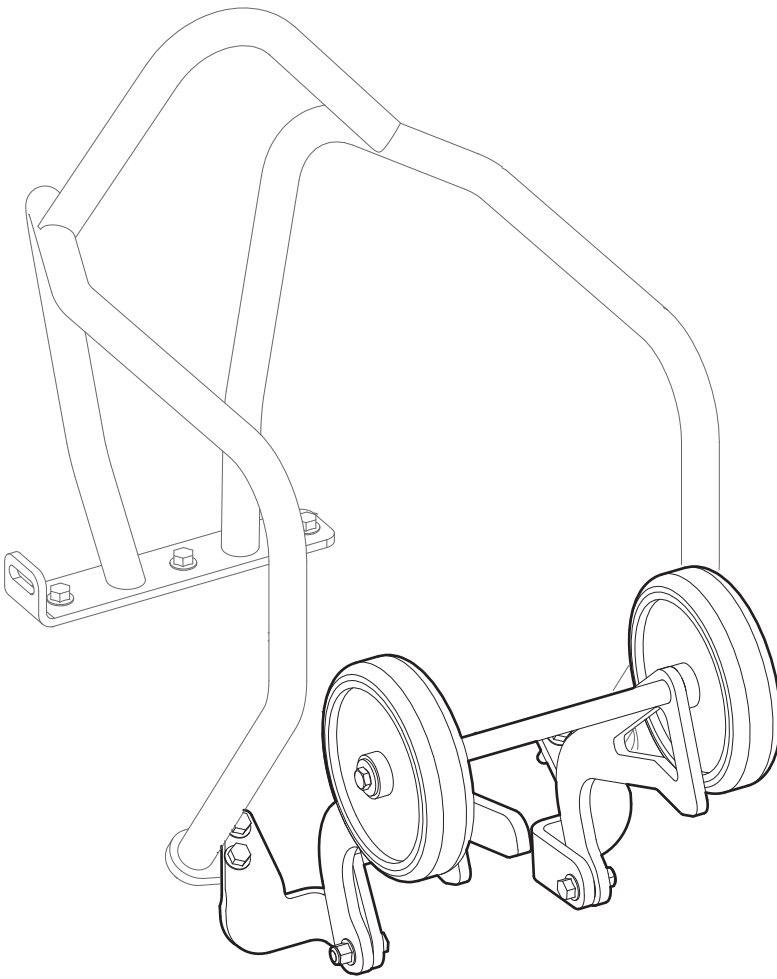
Description	Remark	Quantity	Part number
<b>Block paving plate kit</b>		1	4812 0701 71
Polyurethane plate	420 mm 16.5 in.	1	-
Bracket		1	-
Nut	M8 x 1.25 mm A2K	2	-
Washer	8.4 x 16 x 1.5 mm 0.33 x 0.63 x 0.06 in. 300 HV	2	-
Screw	M8 x 75 mm 8.8 A2K	2	-

## Block paving plate kit 500 mm (19.7 in.)



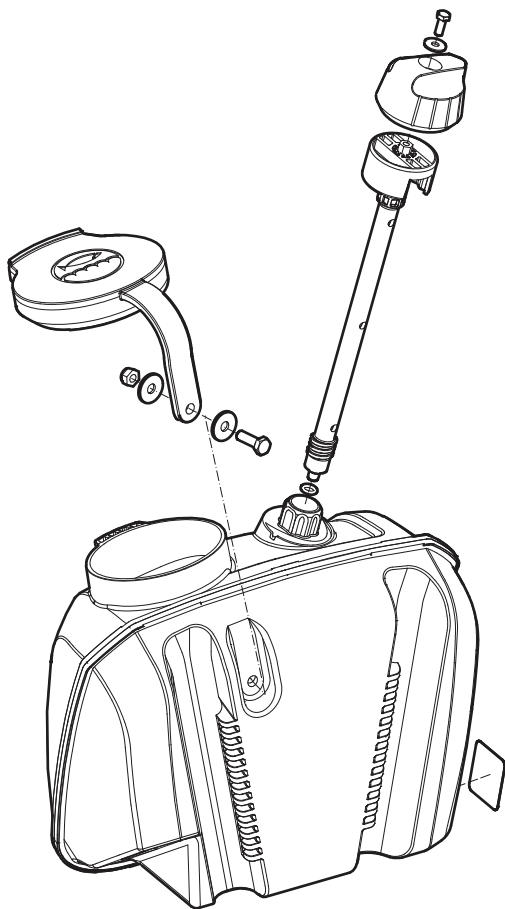
Description	Remark	Quantity	Part number
<b>Block paving plate kit</b>		1	4812 0701 72
Polyurethane plate	500 mm 19.7 in.	1	-
Bracket		1	-
Nut	M8 x 1.25 mm A2K	2	-
Washer	8.4 x 16 x 1.5 mm 0.33 x 0.63 x 0.06 in. 300 HV	2	-
Screw	M8 x 75 mm 8.8 A2K	2	-

## Transport device kit



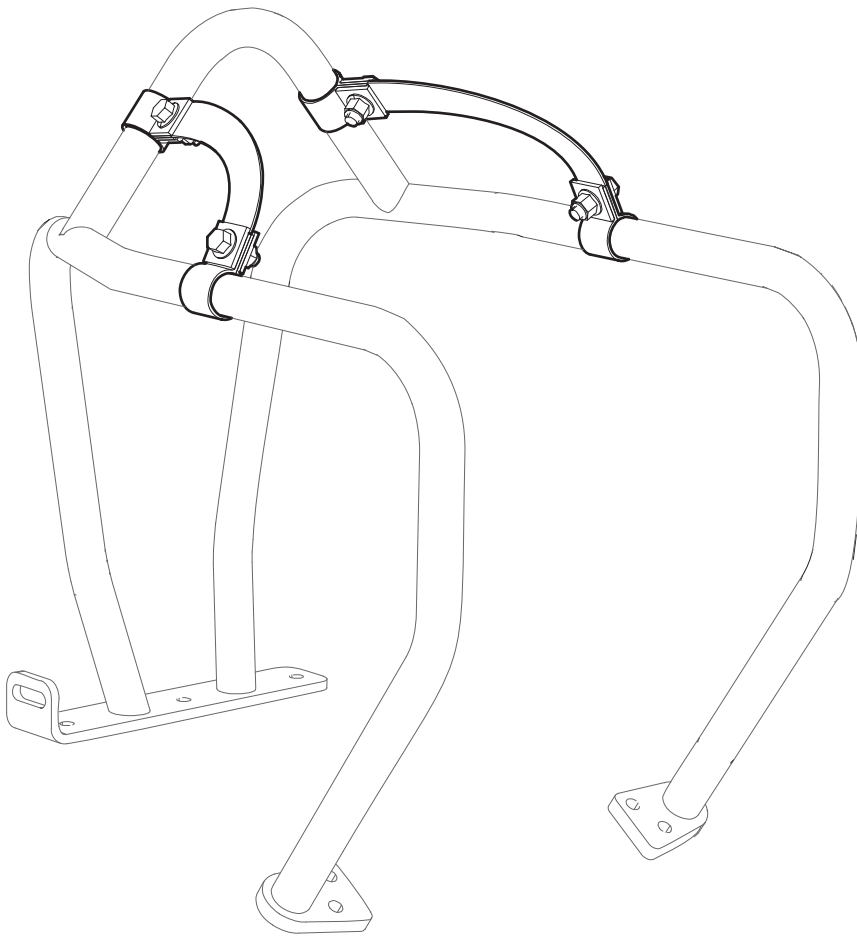
Description	Remark	Quantity	Part number
<b>Transport device kit</b>		1	3382 1001 78
Wheel bracket	Left	1	-
Wheel bracket	Right	1	-
Washer	8.4 x 25 x 2 mm 0.33 x 0.98 x 0.08 in.	4	-
Wheel fork		1	-
Screw	M8 x 30 mm 8.8 A2K	2	-
Nut	M8 A2K	2	-
Wheel		2	-
Screw	M8 x 12 mm 8.8 A2K	2	-
Shock absorber		1	-
Hook		1	-
Nut	M10	1	-
Washer	10.5 x 22 x 2 mm 0.41 x 0.87 x 0.08 in.	1	-
Screw	M10 x 20 mm 8.8 FZB	1	-
Screw	M8 x 25 mm 8.8 A2K	4	-
Screw	M8 x 35 mm 8.8 A2K	4	-

## Sprinkler system kit



Description	Remark	Quantity	Part number
<b>Sprinkler system kit</b>		1	3382 0108 61
Water tank		1	-
Rod		1	-
Handle		1	-
Washer	8.4 x 25 x 2 mm 0.33 x 0.98 x 0.08 in.	2	-
Screw	M8 x 25 mm 8.8 A2K	1	-
Nut	M8 -8 DIN985	1	-
Washer	6.4 x 18 x 1.6 mm 0.25 x 0.71 x 0.06 in.	1	-
Screw	M6 x 16 mm 8.8 A2K	1	-
Cap		1	-
Label		1	-
O-ring	8 x 3 mm 0.31 x 0.12 in. (70 shore)	1	-
Label		1	-

## Fork lifting device kit



Description	Remark	Quantity	Part number
<b>Fork lifting device kit</b>		1	4812 0701 73
Strap		1	-
Screw		4	-
Square washer	8.4 x 26 x 4 mm 0.33 x 1.02 x 0.16 in. 300 HV	8	-
Nut	M8 x 1.25 mm A2K	8	-









